

BeddingMaster
Manure Composter

Parts List

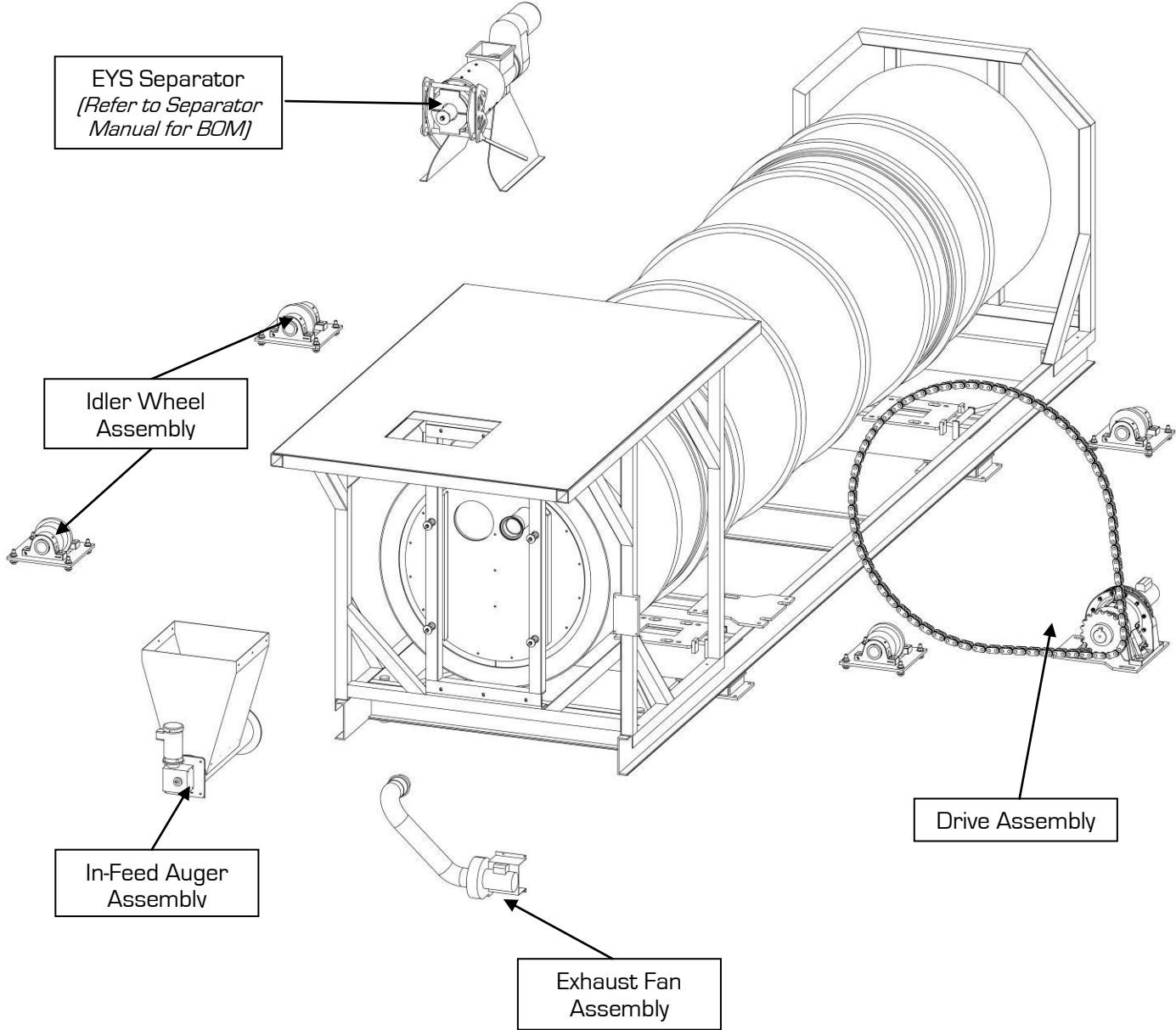
For Models:

5-14

6-20
6-32

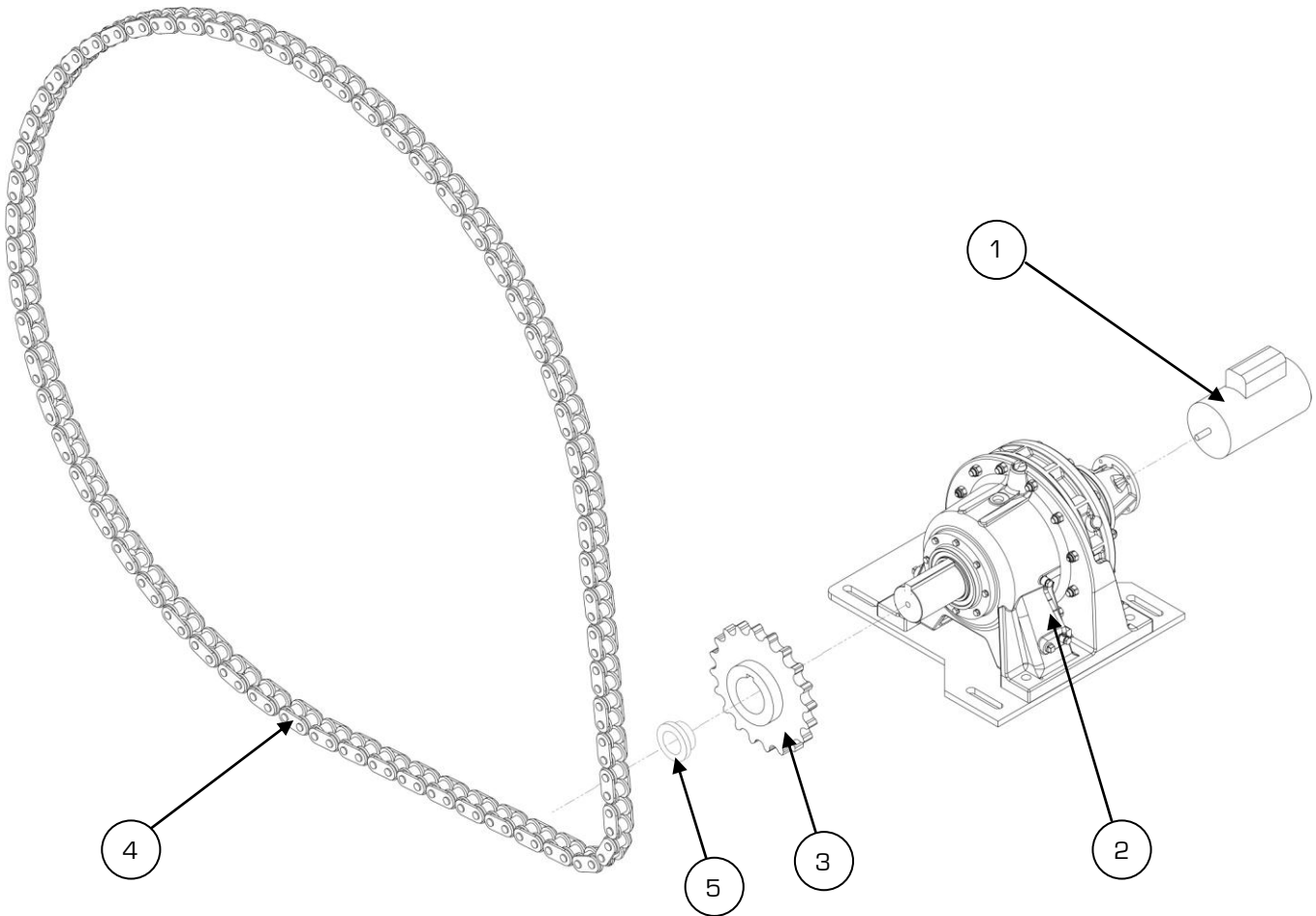
8-40

BeddingMaster - Components



Label	Part #	Description
1	—	Drive Assembly
2	—	EYS Separator
3	—	Exhaust Fan Assembly
4	—	In-Feed Auger Assembly
5	—	Idler Wheel Assembly

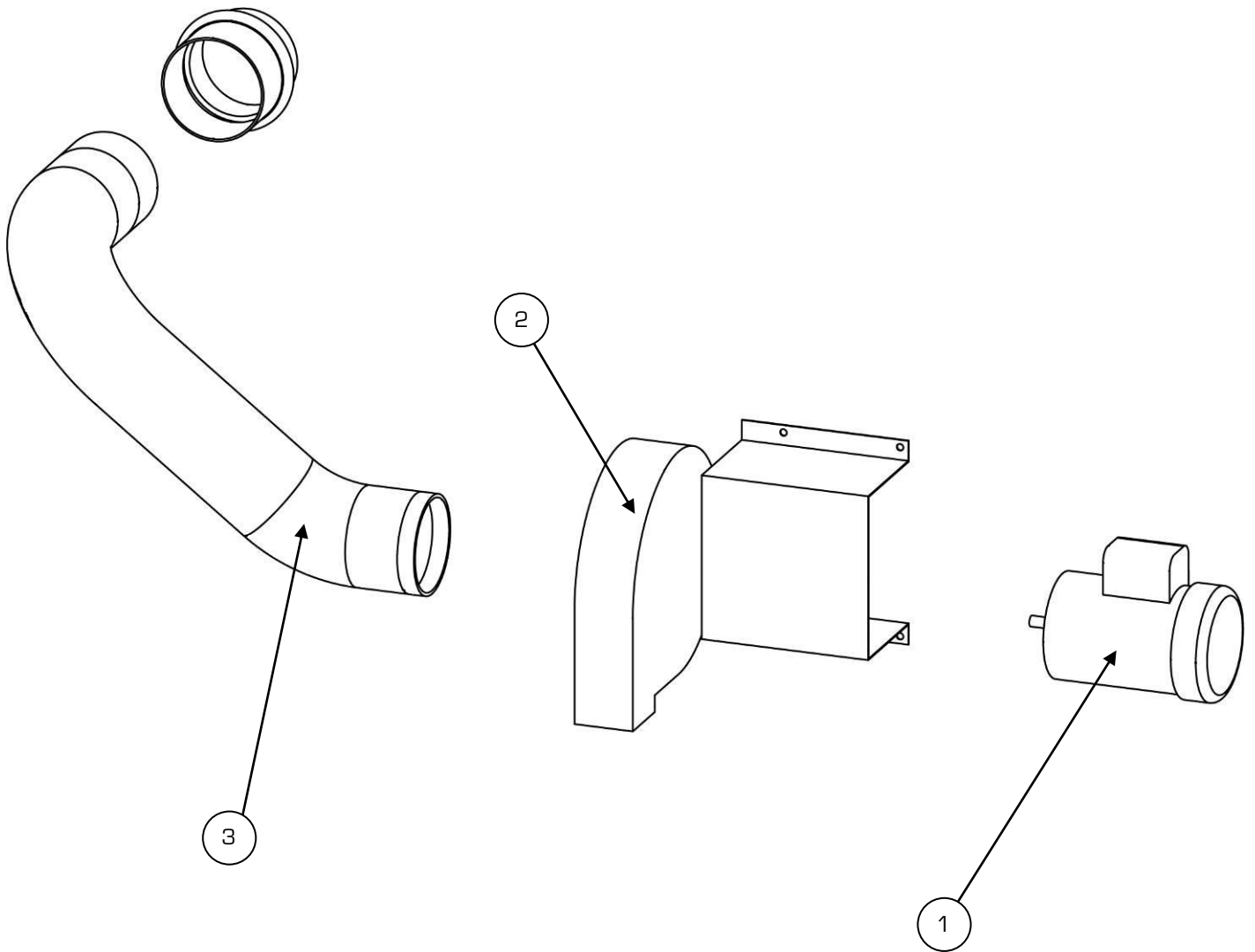
BeddingMaster – Drive Assembly



		BeddingMaster Model					
		5-14	6-20	6-32	8-40		
Label	Part #					Description	
1	P361		C203	R599	5 HP, 3PH Motor [BeddingMaster 5-14, 6-20] 7½ HP, 3PH Motor [BeddingMaster 6-32] 15 HP, 3PH Motor [BeddingMaster 8-40]		
2	X545		T547	V191	Gearbox		
3	Q154		A465	C270	120 Chain, 30T Sprocket [BeddingMaster 5-14, 6-20] 180 Chain, 20T Sprocket [BeddingMaster 6-32] 200 Chain, 19T Sprocket [BeddingMaster 8-40]		
4	D784		P177	Q665	Replacement Chain Link (Sold By The Foot) 31' OAL (BM 8-40) 26' OAL (BM 6-32) 25' OAL (BM 6-20) 25' OAL (BM 5-14)		
5	—		—	Q741	GD Drive Bushing (BM 8-40 Only)		

*Items not listed are considered non-common replacement parts and can be custom ordered upon request.

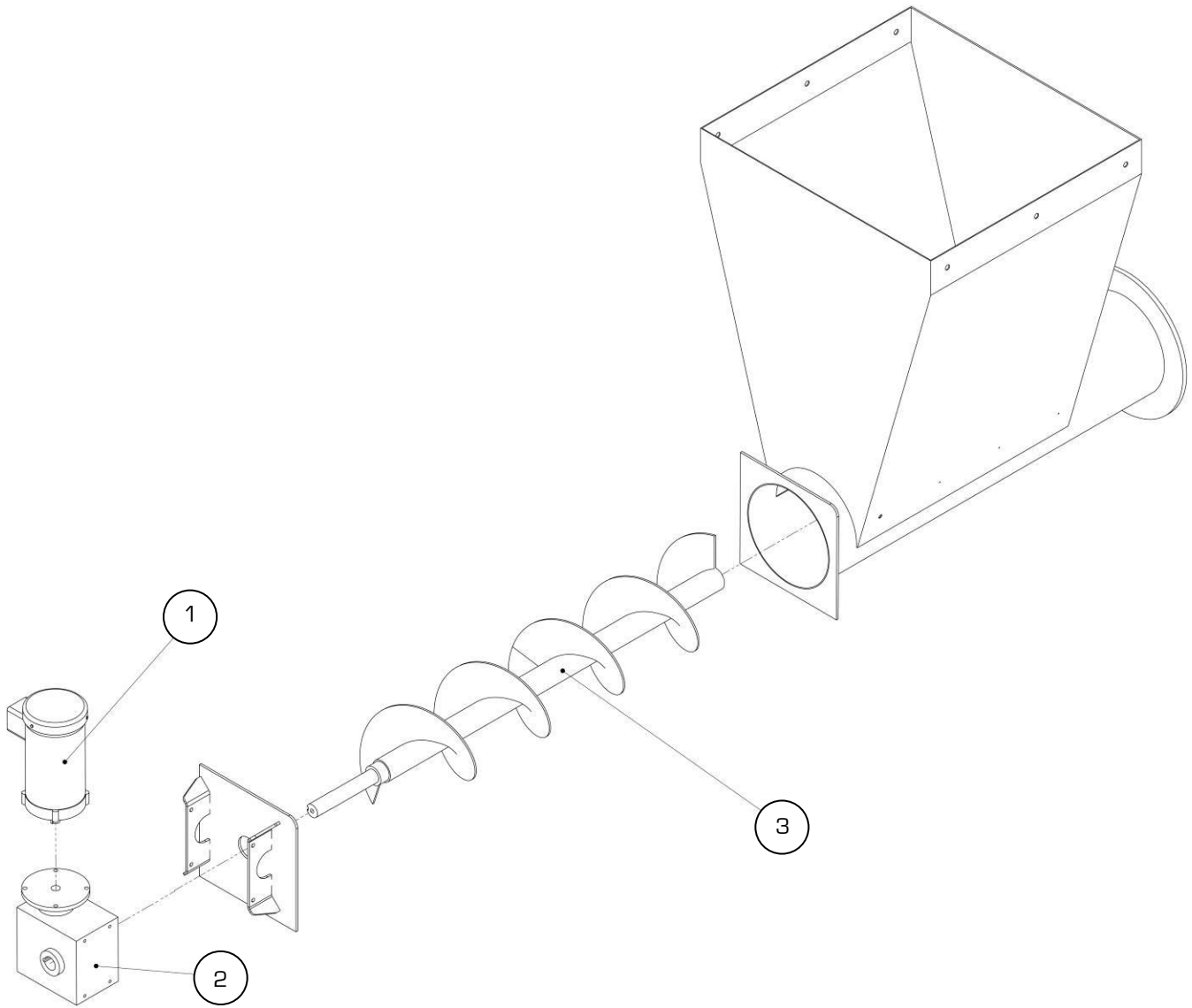
BeddingMaster – Exhaust Fan Assembly



Label	Part #	Description
1	G252	1 HP, 3PH Motor
2	E561	Replacement Fan Wheel for Blower
3	P384	5" Fume Extractor Hose (Sold By The Foot) 5' OAL (BM 8-40 & BM 6-32) 4' OAL (BM 6-20 & BM 5-14)

*Items not listed are considered non-common replacement parts and can be custom ordered upon request.

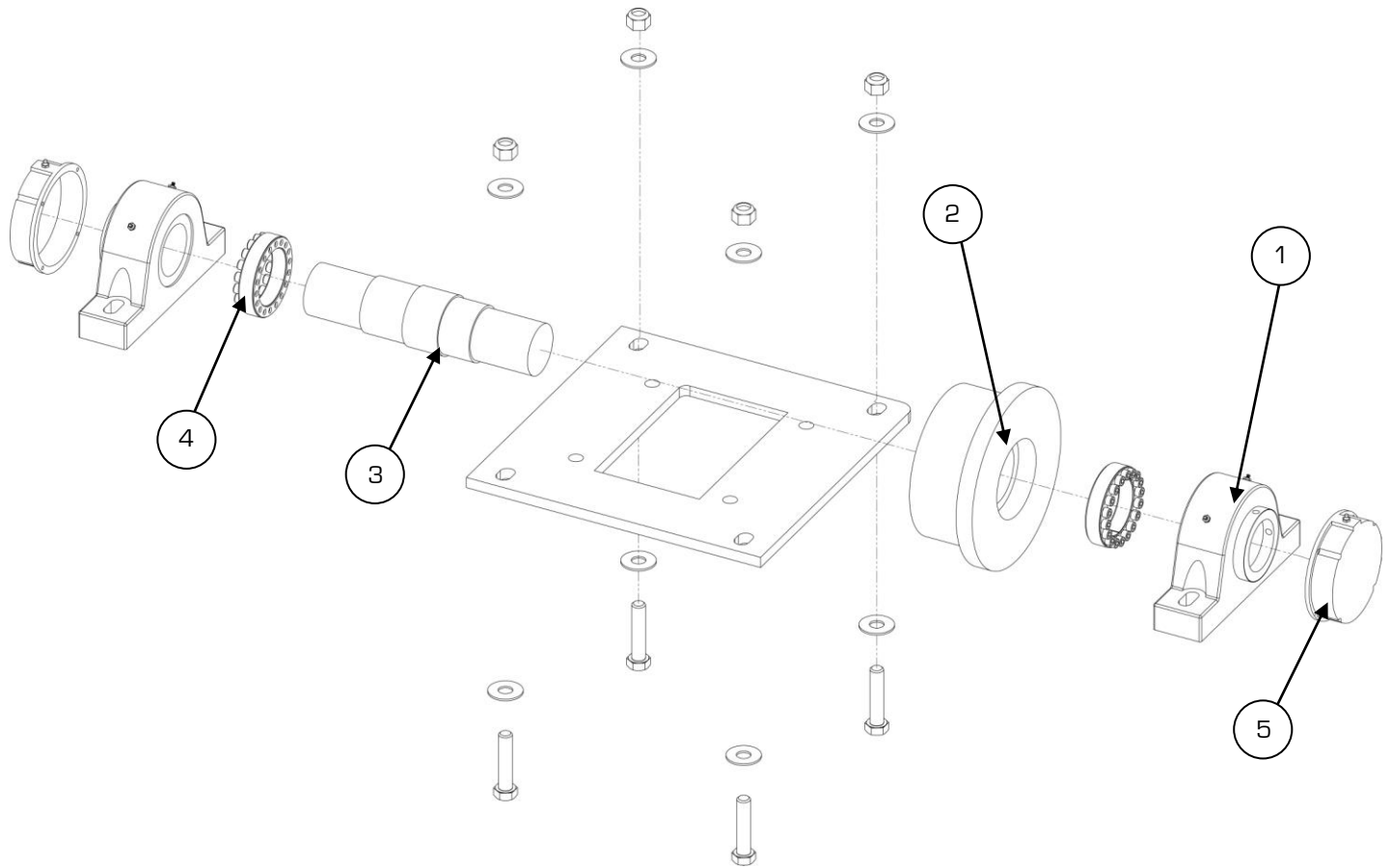
BeddingMaster – In-Feed Auger Assembly



Label	Part #	Description
1	Z748	1 HP, 3PH C-face Motor
2	C413	Gearbox
3	L819	Infeed Auger

*Items not listed are considered non-common replacement parts and can be custom ordered upon request.

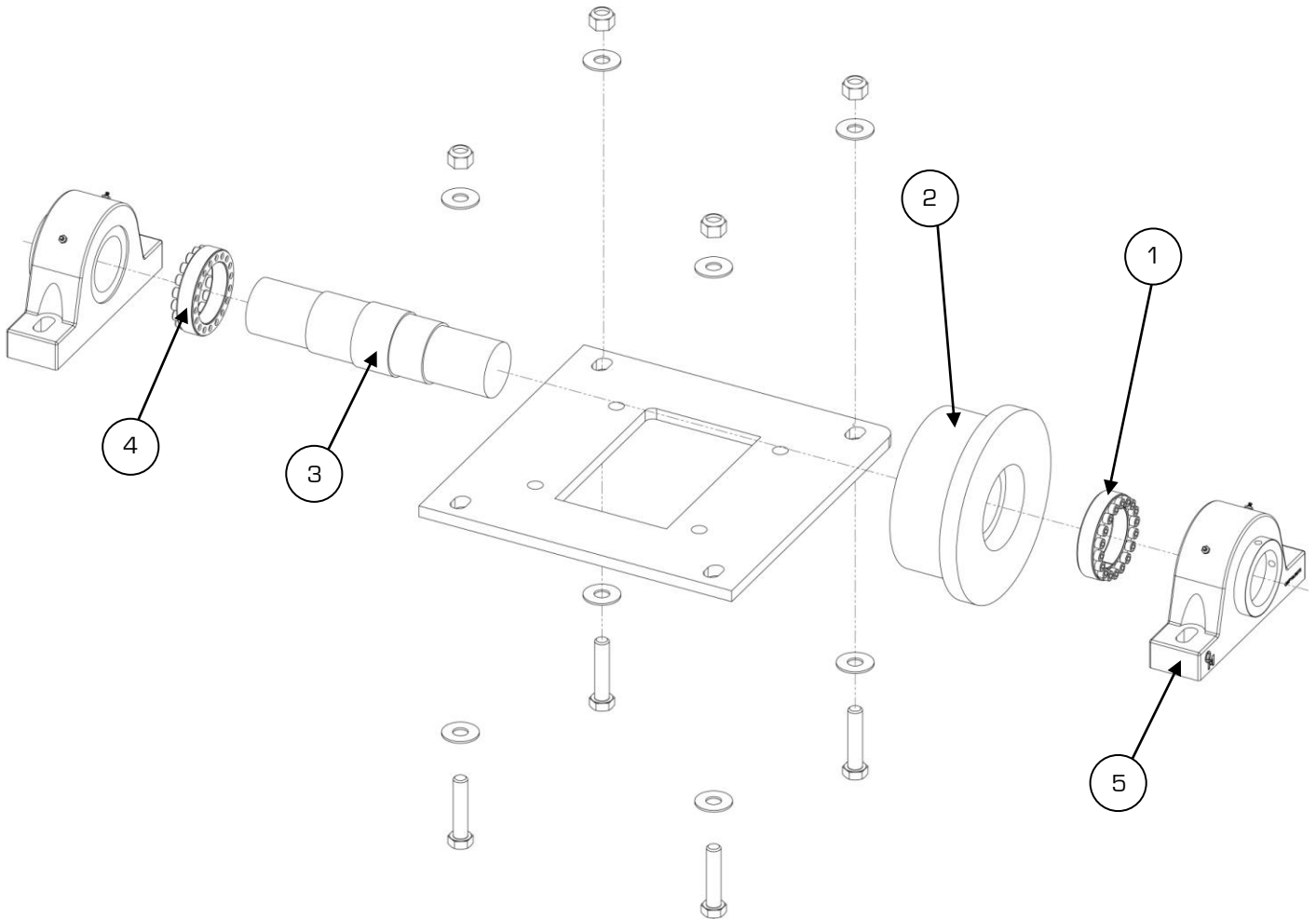
BeddingMaster – Idler Wheel Assembly



Label	BeddingMaster Model				Description
	5-14	6-20	6-32	8-40	
1	Part #				Pillow Bearing
2	P797	D301	G870		Trunion Wheel
3	R735	D644	N402		Trunion Shaft
4	L662	S768	L548		B-loc
5	J435	A892	—		Closed End Cover
	L610	Q537	—		

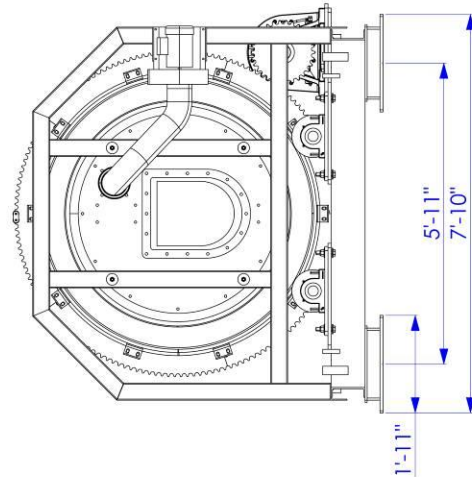
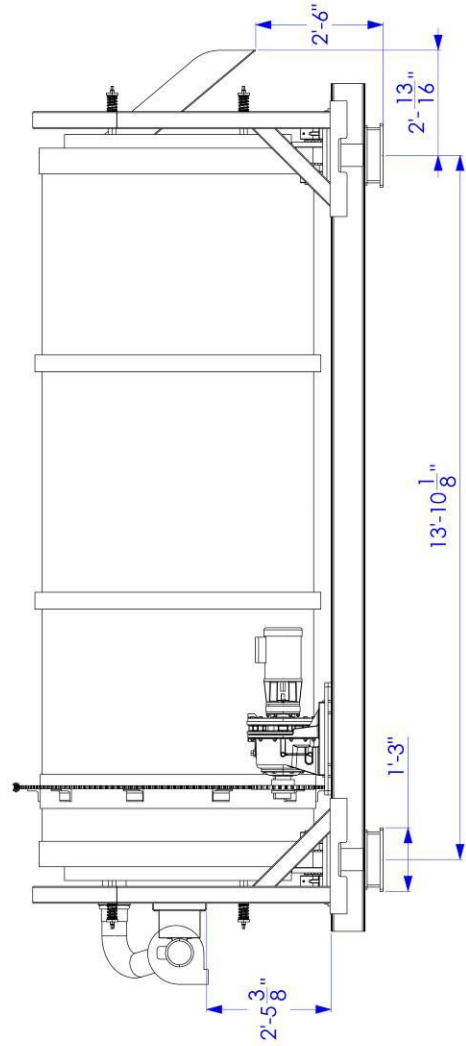
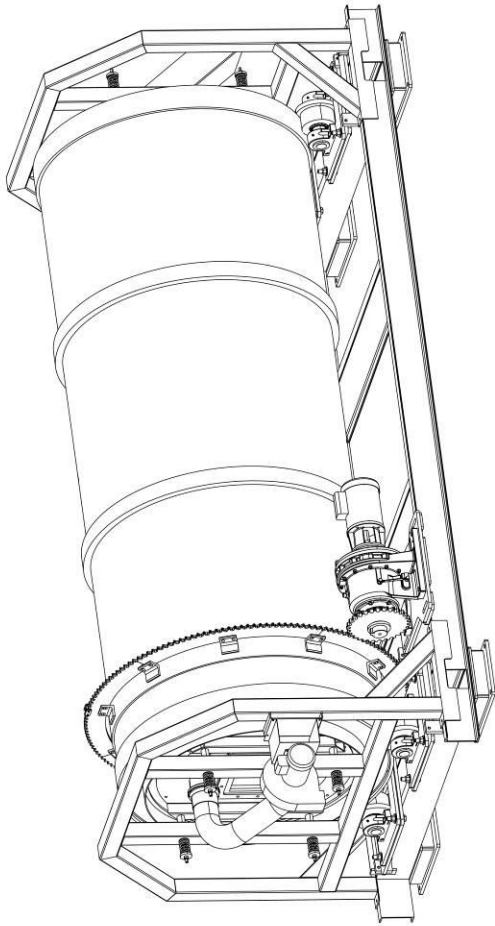
*Items not listed are considered non-common replacement parts and can be custom ordered upon request.

BeddingMaster – 8-40 QM Idler Wheel Assembly (Older Composter)

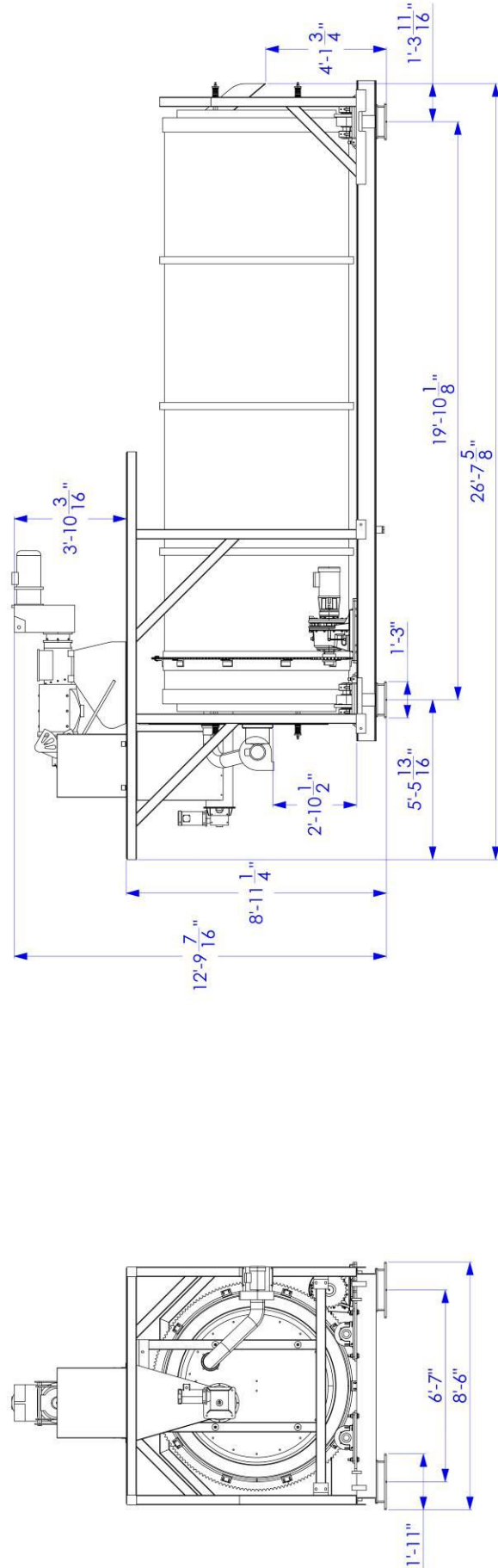
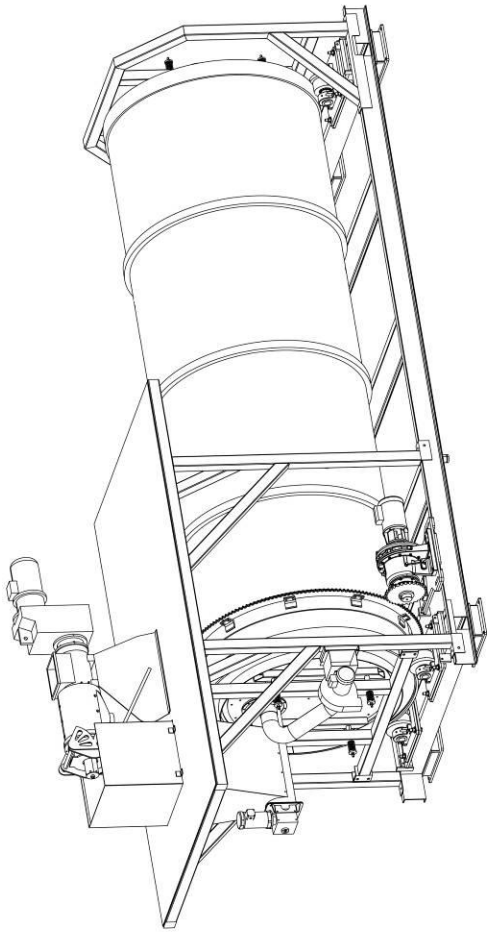


BeddingMaster Model		
8-40		
Label	Part #	Description
1	D301	Pillow Bearing
	B862	Pillow Bearing at Drive
2	O330	Trunion Wheel
	G443	Trunion Wheel at Drive
3	Q685	Trunion Shaft
	F104	Trunion Shaft at Drive
4	A892	B-Loc
	T788	B-Loc at Drive

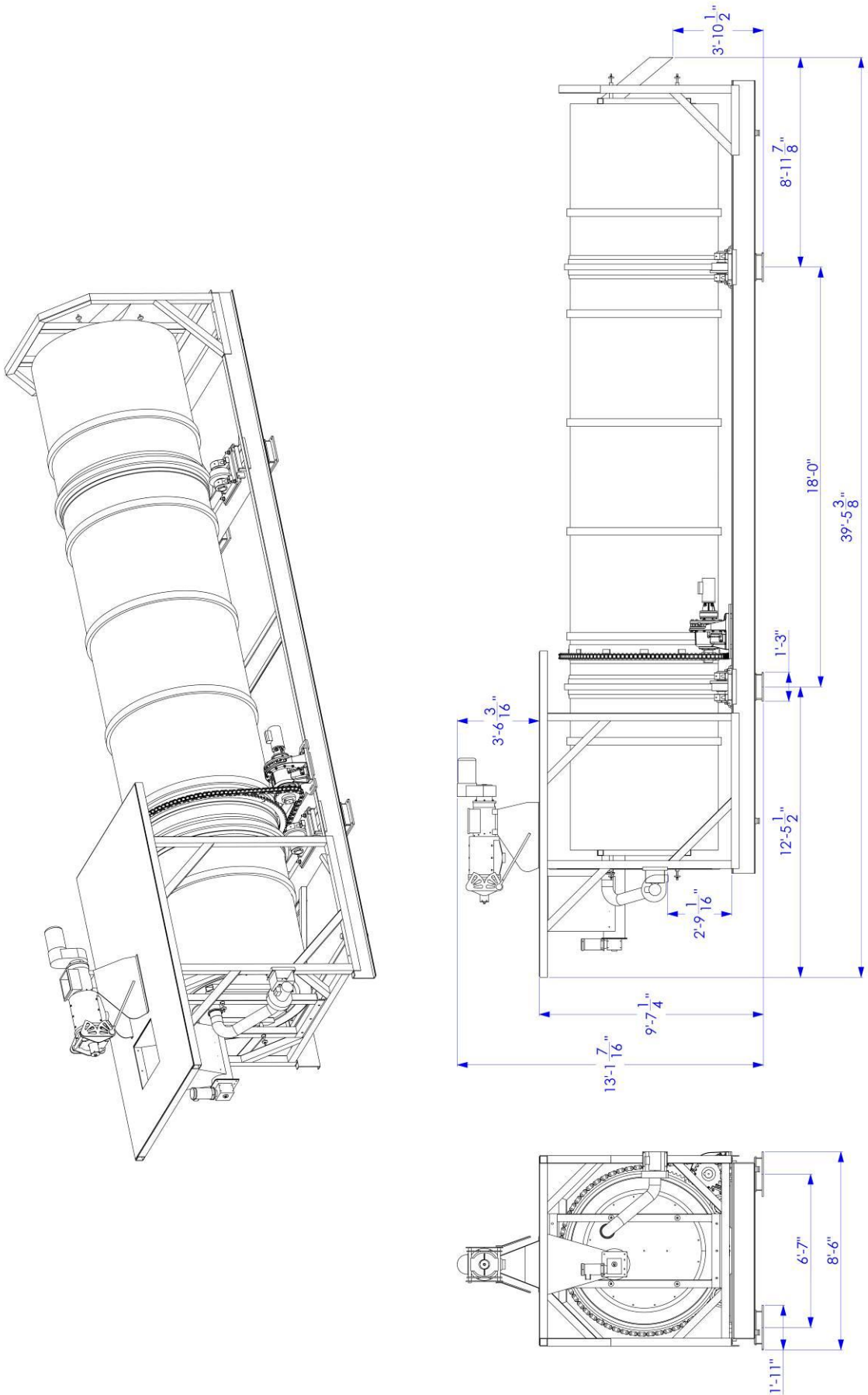
BeddingMaster 5-14 - Overall Dimensions



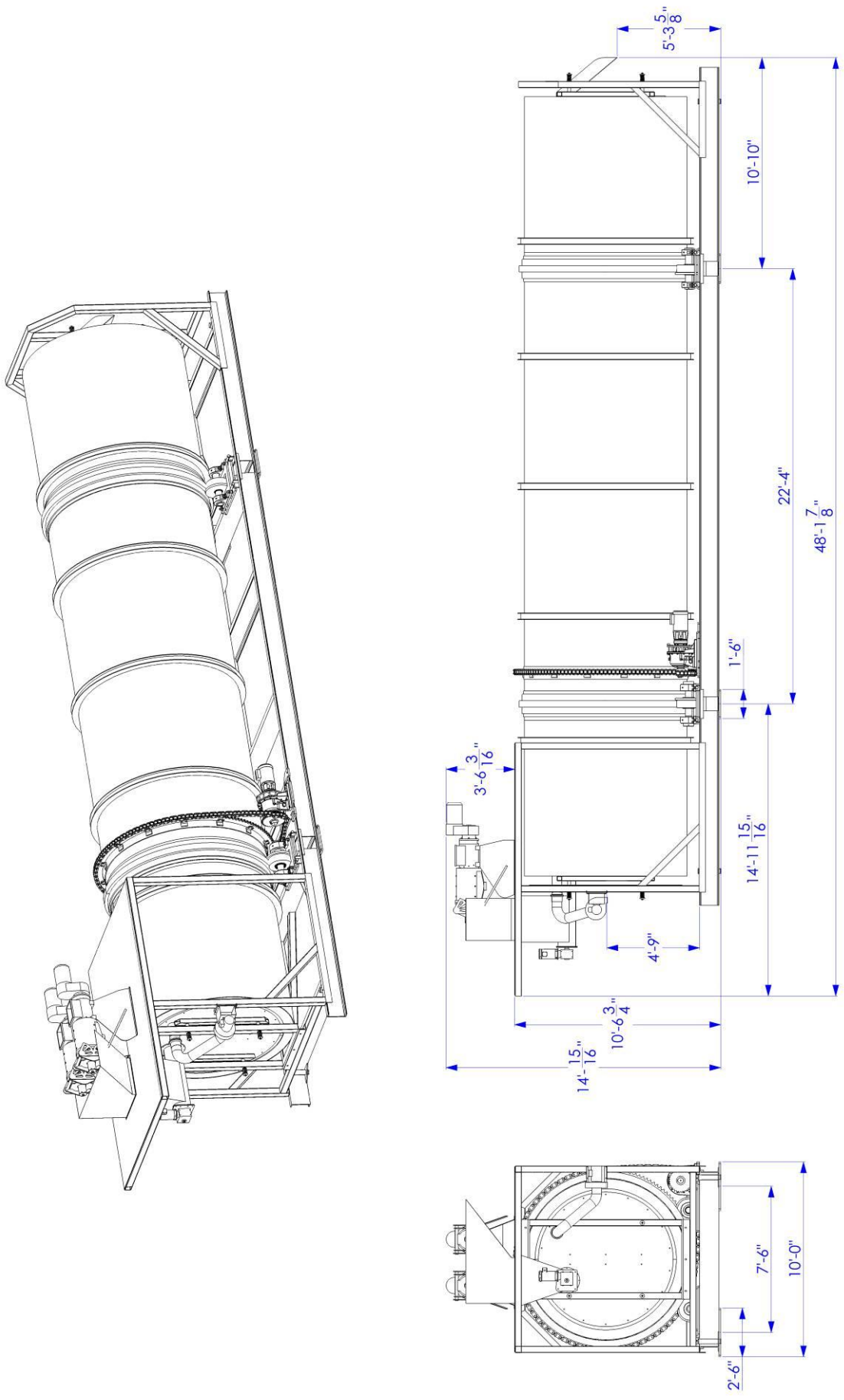
BeddingMaster 6-20 - Overall Dimensions



BeddingMaster 6-32 - Overall Dimensions



BeddingMaster 8-40 - Overall Dimensions



**For Technical Support, to order Replacement Parts, or for questions about other products,
please contact your local dealer.**
